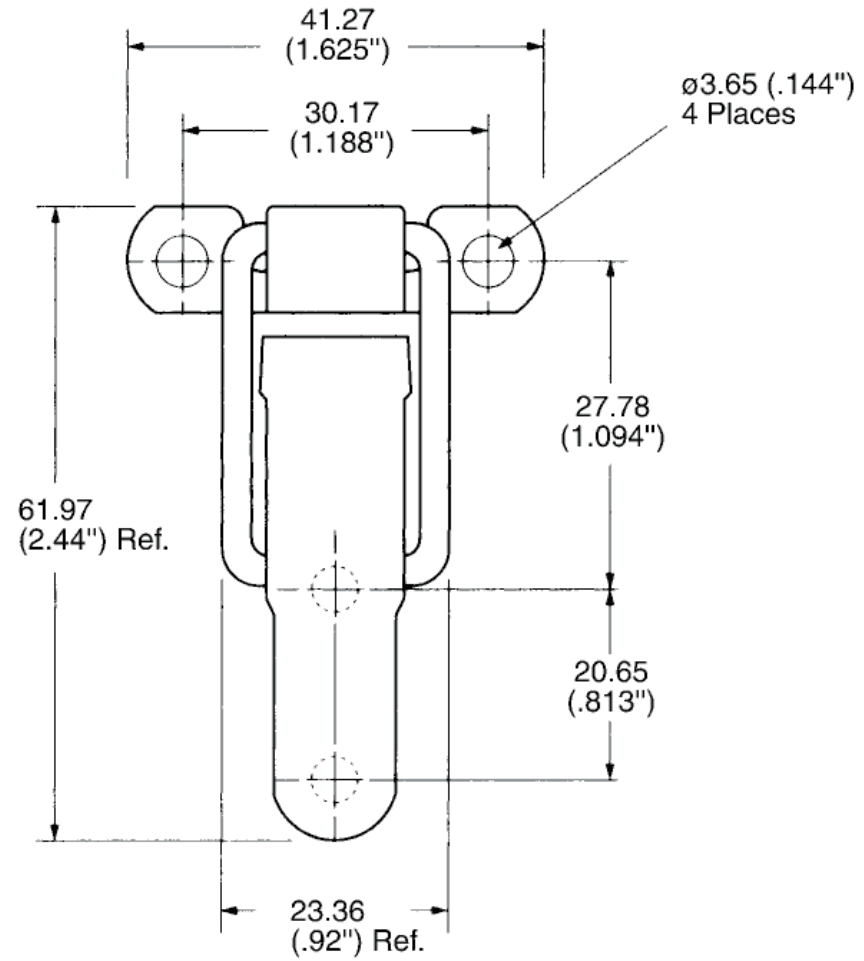
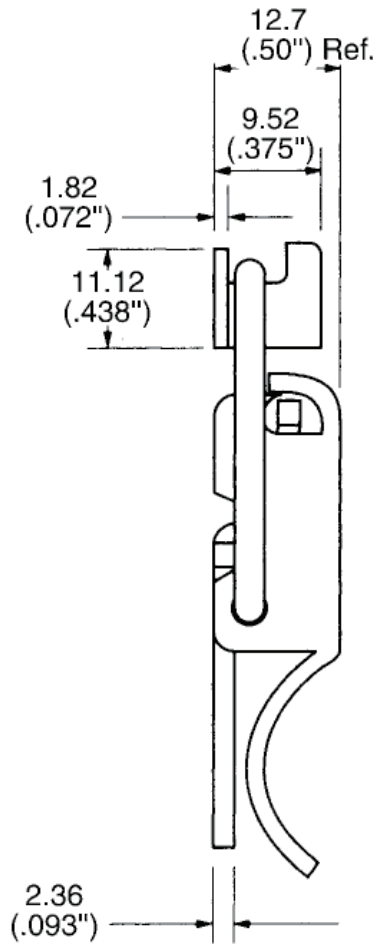


APPROVAL - CUSTOMER NAME & SIGNATURE

DATE



ALLEGIS		1-866-378-7550
MATERIAL:	Zinc	DRAWING NO. : LA11224 SS
FINISH:		
REV.:	1:1	DATE: 6/17/2019